

Light-Duty Vegetable Prep and Vertical Cutter-Mixer



Prepare 400 servings in 3
hours or less!

Bowl attachment designed for mixing, chopping,
pureeing, and blending.

- Mechanical safety system and motor brake.
- Direct Drive, fan-cooled, 3/4 HP motor.
- 2.5 Qt. clear cutter bowl with see-thru lid.
- Attachments easily removed for superior cleanability.
- Unit base uses minimal counter space (9" x 14").
- 1 year parts and labor warranty.



Robot Coupe U.S.A., Inc.
P.O. Box 16625
Jackson, MS 39236-6625
1-800-824-1646 • (601) 898-8411
FAX: (601) 898-9134
www.robotcoupeusa.com
e-mail: info@robotcoupeusa.com

SPECIFICATIONS ON REVERSE SIDE

Specifications

STANDARD MODEL: Includes motor base unit,, 2.5 Qt. clear cutter bowl with stainless steel "S" blade, see-thru lid

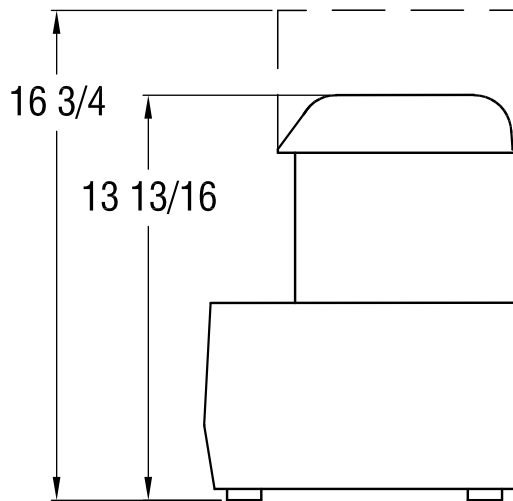
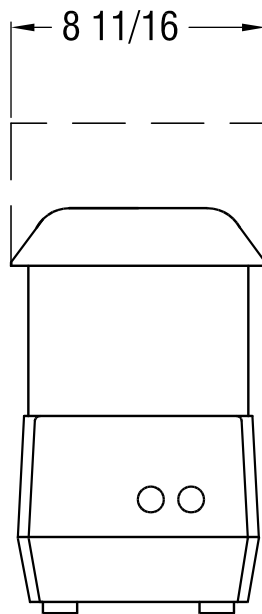
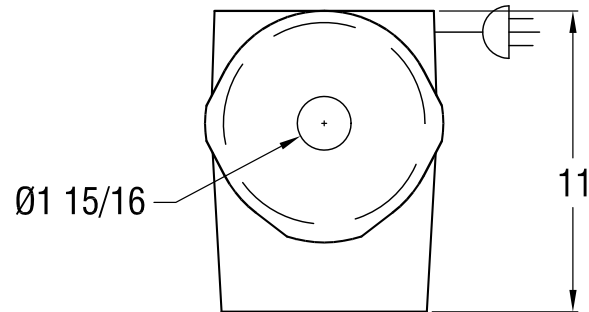
ELECTRICAL REQUIREMENTS: 120V, 60HZ, 7 Amps. NEMA #5-15P.

SWITCHING: Control panel with push-type on/ off buttons.

MOTOR: 3/4 HP, 1725 RPM, direct-drive, fan-cooled.

WEIGHT: 20 lbs. net, 24 lbs. approximate shipping weight.

STANDARDS: ETL electrical & sanitation, cETL (Canada)



Robot Coupe U.S.A., Inc.

P.O. Box 16625

Jackson, MS 39236-6625

1-800-824-1646

(601) 898-8411

FAX: (601) 898-9134

www.robotcoupeusa.com

e-mail: info@robotcoupeusa.com

Distributed by: