



BEVERAGE-AIR

Project: _____	AIA#
Item: _____	
Location: _____	SIS#
Approved: _____	

HR HORIZON TOP MOUNT REACH-IN

HR2 Solid Door Reach-In Refrigerators

MODELS:
HR2-1S



HR2-1S

3 Year Parts/Labor Warranty
Additional 2 Year Compressor Warranty

CABINET CONSTRUCTION

- Exterior is stainless steel front and gray painted sides
- Interior is aluminum with covered corners
- Full electronic control
- Electronic thermostat
- Digital display of cabinet temperature, with key pad for temperature adjustments
- Doors are self-closing with locks
- Cam-lift style hinges
- 120° stay-open door feature
- Field reversible doors are easily removed for service and cleaning
- Magnetic gasket attached to each door for positive seal
- Anti-microbial door handles
- Three (3) heavy duty epoxy coated wire with four (4) shelf clips shelves per section
- LED interior light
- 6" Heavy-duty casters, two with brakes
- Maintains product temperatures between 36 - 38°F

OPTIONS & ACCESSORIES

- Glass door with lock(s)
- Chrome shelves
- Stainless steel rim support tray slide
- Stainless steel bottom mount angle tray slide
- Stainless steel universal tray slide
- Epoxy coated wire rod tray slide
- 3" Casters
- 6" Legs

REFRIGERATION SYSTEM

- Refrigeration system uses R134a refrigerant to comply with all environmental concerns
- Unique down draft airflow system ensures uniform distribution throughout entire cabinet
- Automatic evaporation system for energy efficiency
- Epoxy coated evaporator coil

HR2 Top Mount Reach-In: Horizon Series



3779 Champion Blvd., Winston-Salem, NC 27105
1-888-845-9800 Fax: 1-336-245-6453
Beverage-Air.com sales@bevair.com



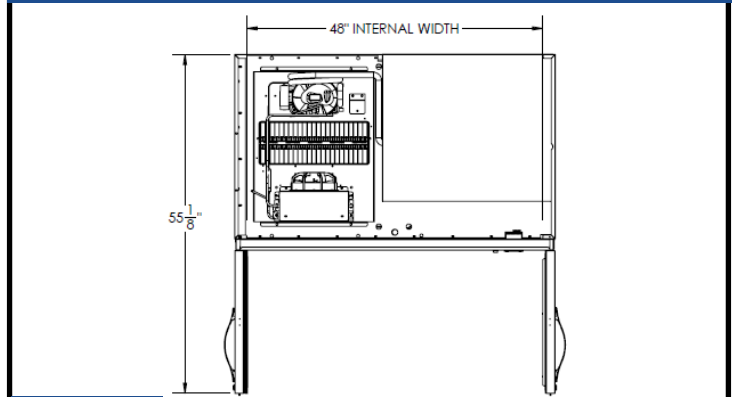
BEVERAGE-AIR

MODEL	HR2-1S
EXTERNAL DIMENSIONAL DATA	
Width Overall	52"
Depth Overall with Handle	33 5/8"
Height Overall with 6" Casters	84 1/2"
Number of Doors	2
Depth with Door Open 90 °	55 1/8"
Door Opening (in)	21 5/8" x 61 3/4"
Shelf Area	545 3/4
INTERNAL DIMENSIONAL DATA	
NET Capacity (cubic ft.)	46.88
Internal Width Overall (in)	48"
Internal Depth Overall (in)	28"
Internal Height Overall (in)	60"
Number of Shelves	6
ELECTRICAL DATA	
Full Load Amperes 115/60/1	8.4
REFRIGERATION DATA	
Horsepower	1/3
WEIGHT DATA	
Gross Weight (Crated lbs)	506 lbs
Height - Crated	88"
Width - Crated	55"
Depth - Crated	36"

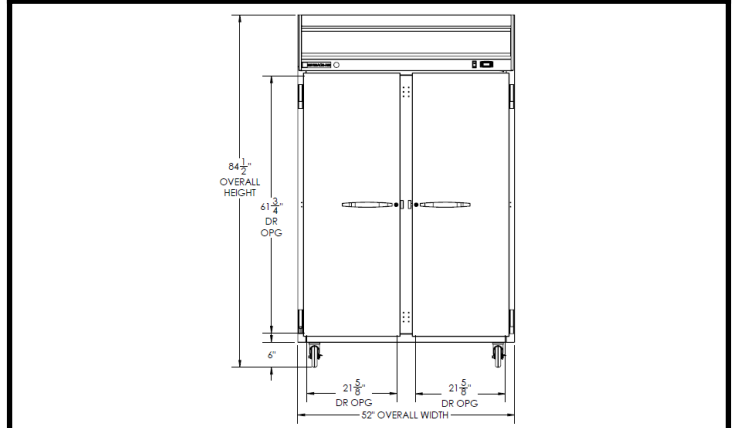
Top Mount Reach-In Refrigerator

Model: HR2-1S

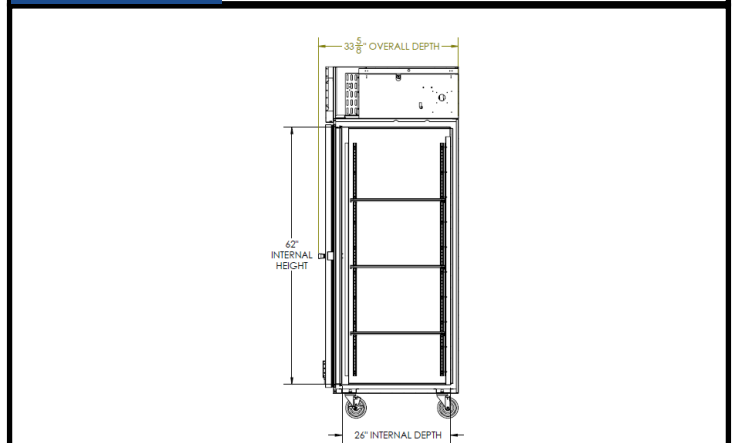
Model Views



Plan View



Elevation View



Side View

ELECTRICAL CONNECTION



115/60/1
NEMA-5-15P

Units pre-wired at factory and include 8' long cord and plug set.



an Ali Group Company



The Spirit of Excellence

3779 Champion Blvd., Winston-Salem, NC 27105
1-888-845-9800 Fax: 1-336-245-6453
Beverage-Air.com sales@bevair.com